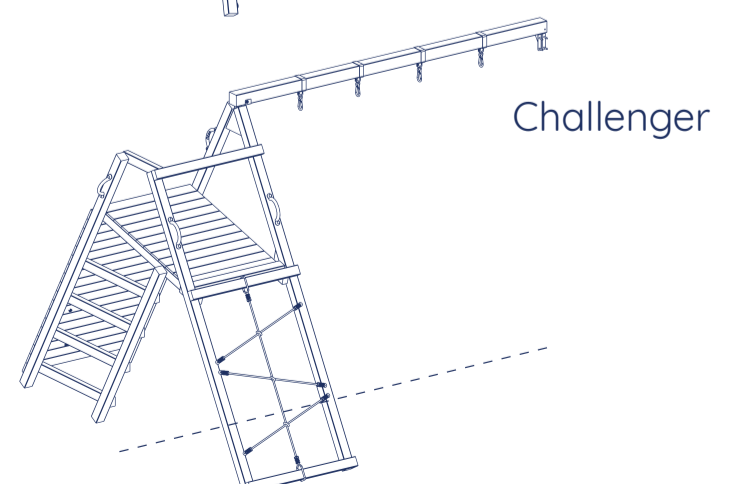
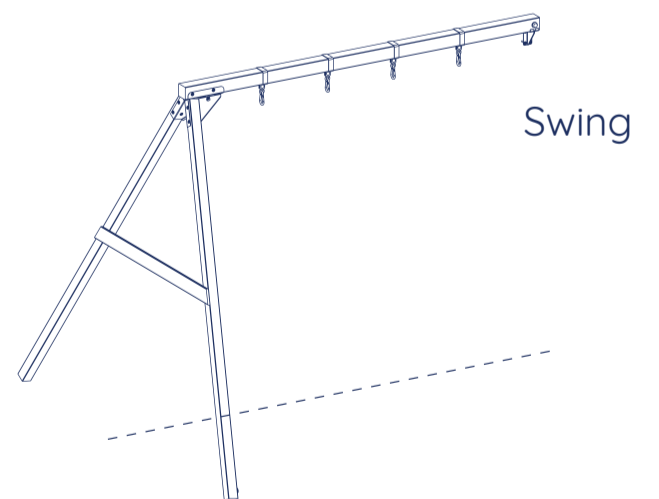
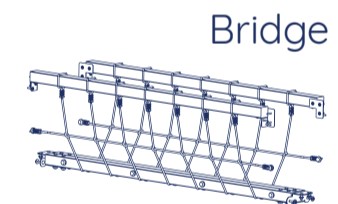
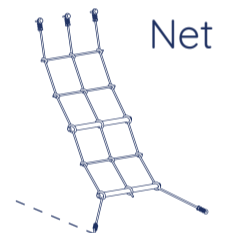
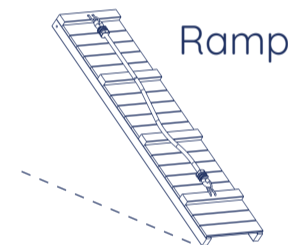
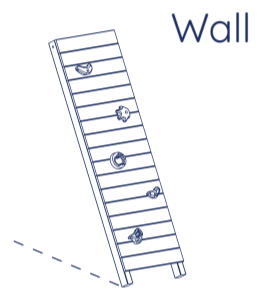
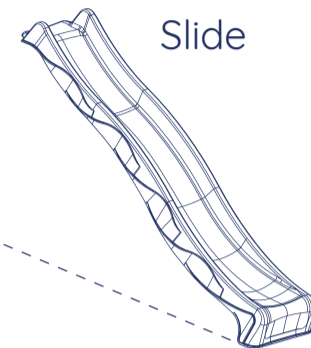


BRPEN



Available add-on items include:



TECHNICAL SPECIFICATION:

Base unit measures:
2010mm L x 2170mm W x 3320mm H

Fall height: 1.5m