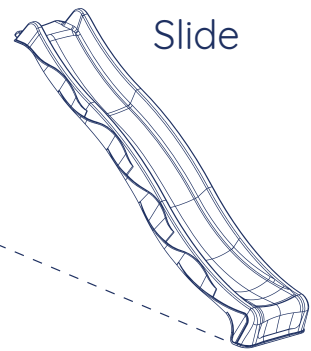


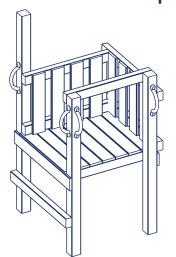
BRPAL



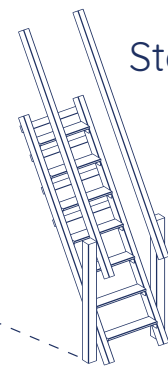
Available add-on items include:



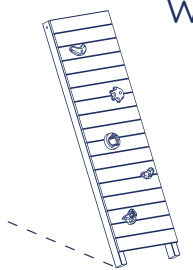
Slide



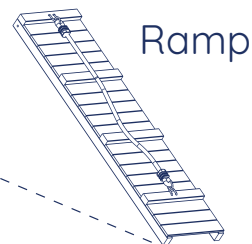
Platform



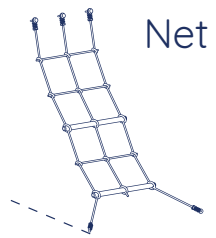
Steps



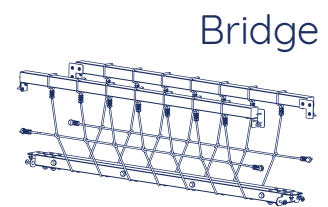
Wall



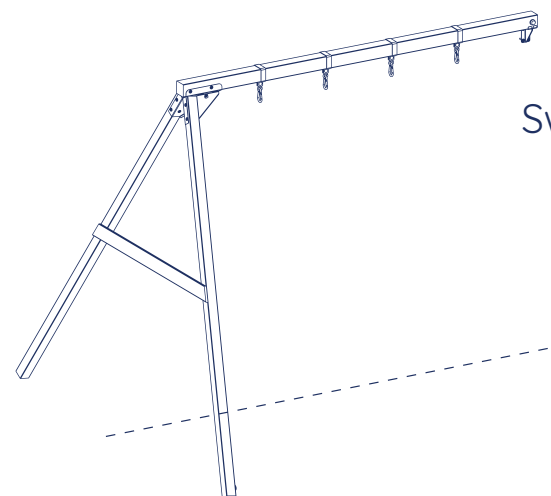
Ramp



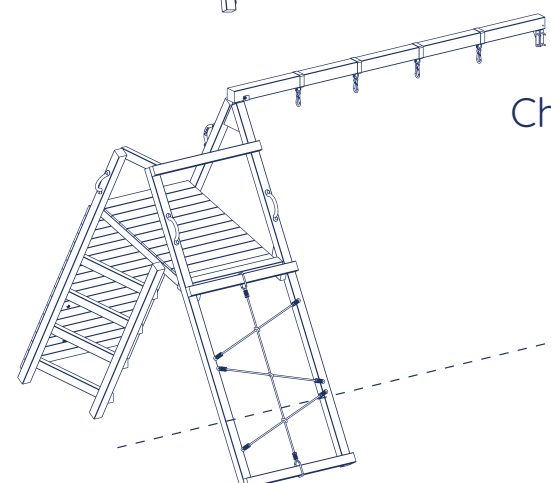
Net



Bridge



Swing



Challenger



TECHNICAL SPECIFICATION:

Base unit measures:
2150mm L x 2450mm W x 3400mm H

Fall height: 1.7m