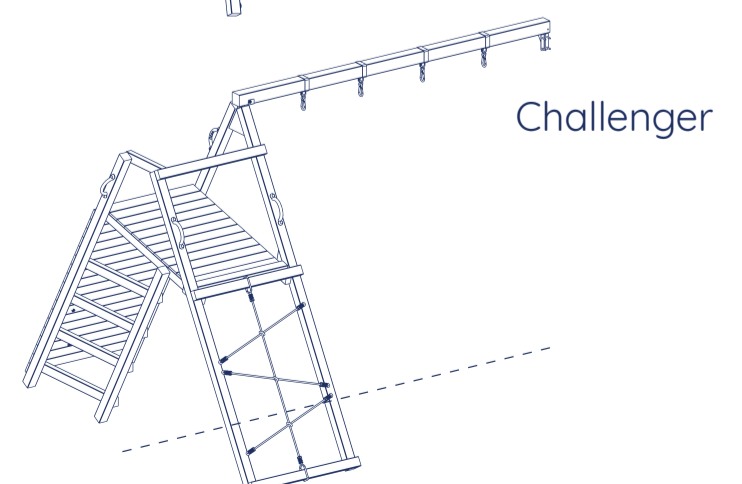
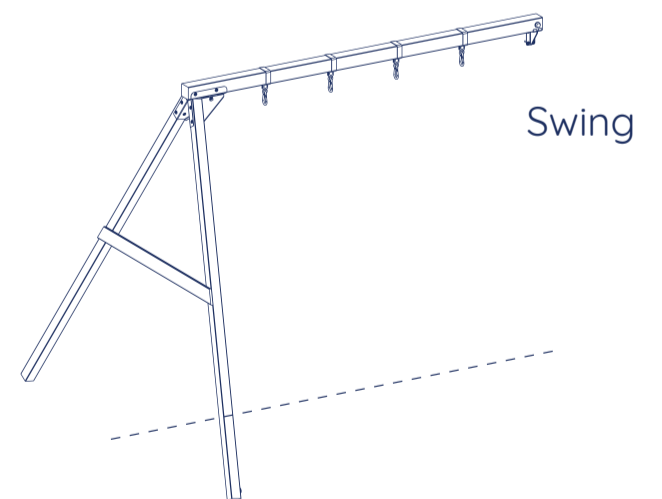
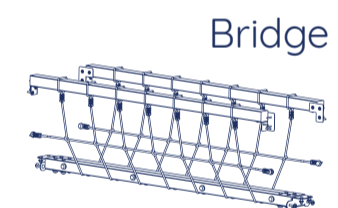
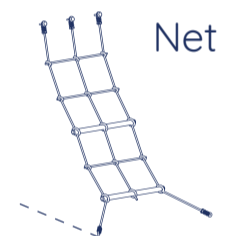
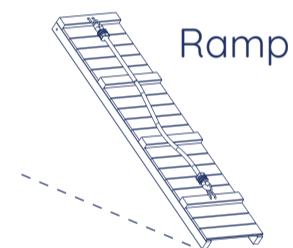
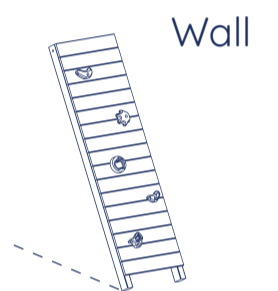
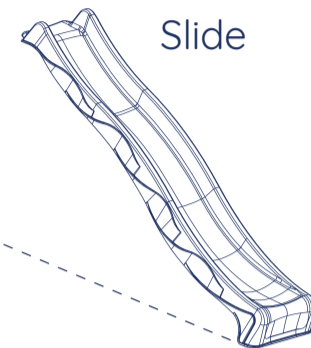


# Pagoda 1500

BRPAG1500



Available add-on items include:



## TECHNICAL SPECIFICATION:

Base unit measures:  
2400mm L x 1800mm W x 3350mm H

Fall height: 1.5m