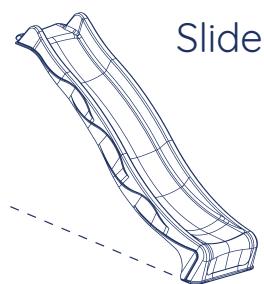


Pagoda 1200

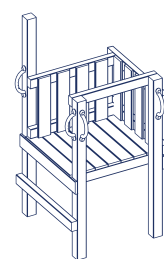
BRPAG1200



Available add-on items include:



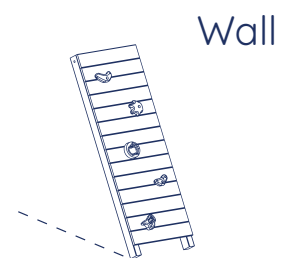
Slide



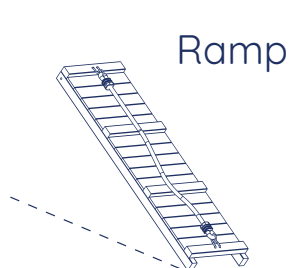
Platform



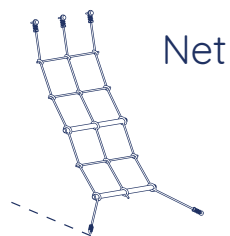
Steps



Wall

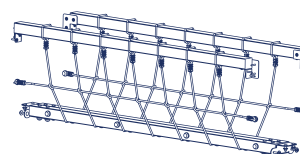


Ramp

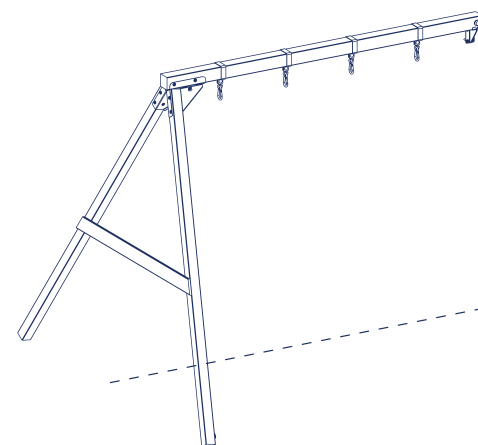


Net

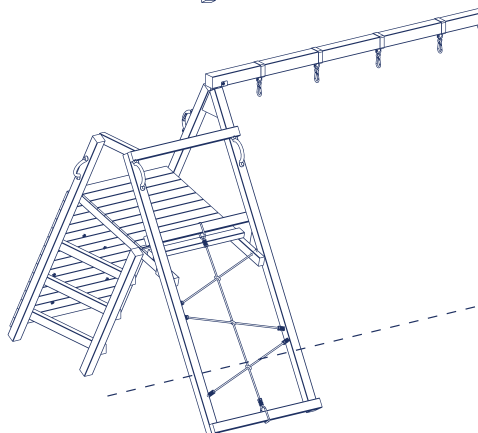
Bridge



Swing



Challenger



TECHNICAL SPECIFICATION:

Base unit measures:
2400mm L x 1800mm W x 3050mm H

Fall height: 1.2m