

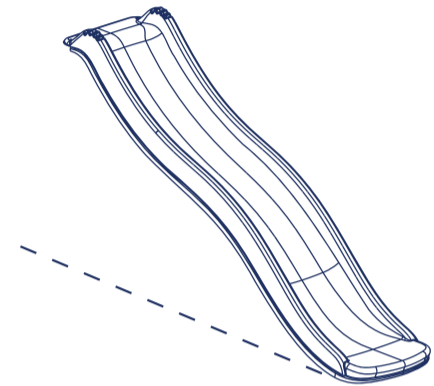
Lookout 900

BRLOO900

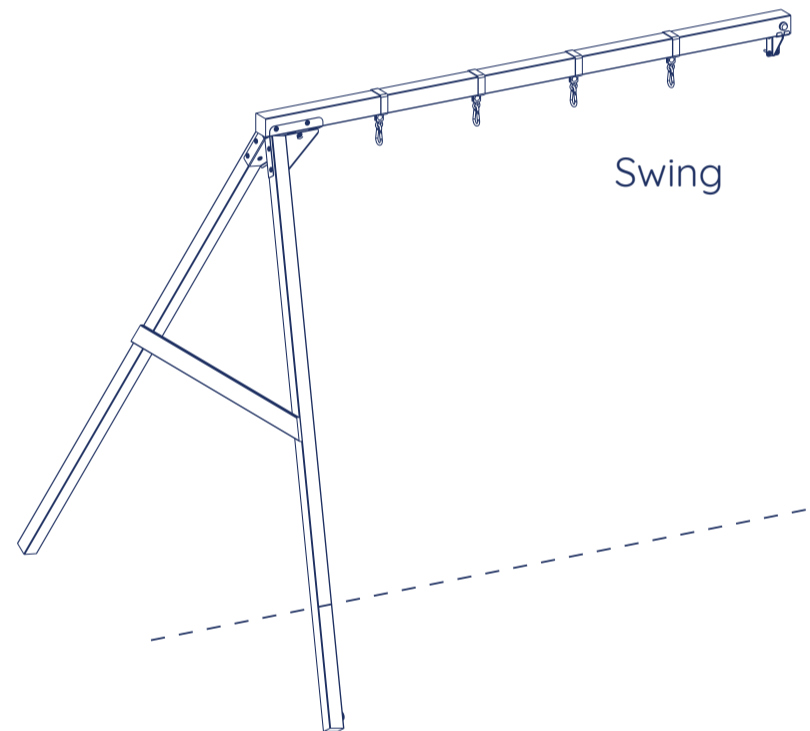
Available add-on items include:



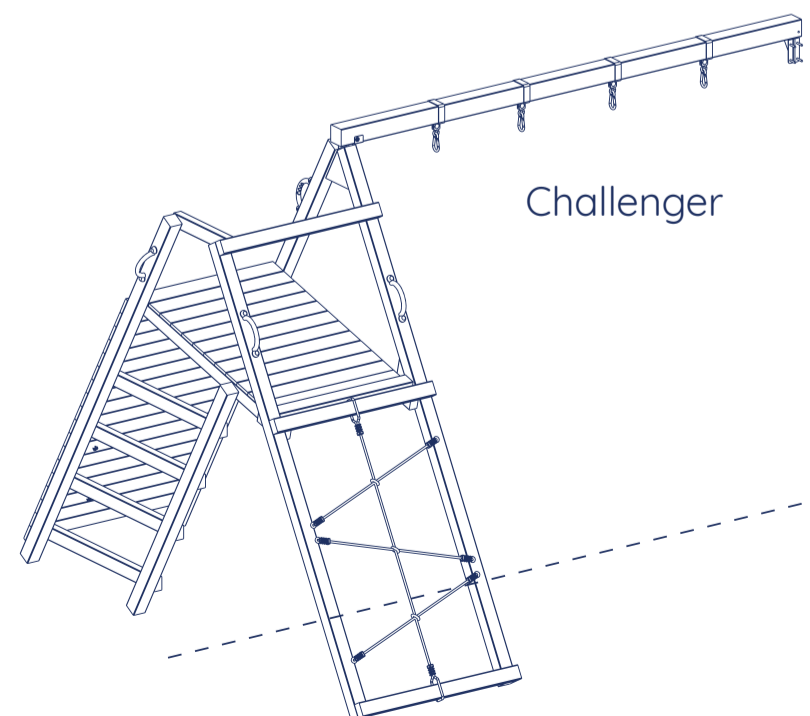
Slide 900mm



Swing



Challenger



TECHNICAL SPECIFICATION:

Base unit measures:
1600mm L x 2050mm W x 2800mm H

Fall height: 0.9m