

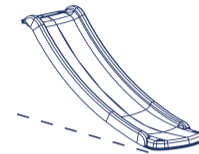
Cascade 900

BRCAS900

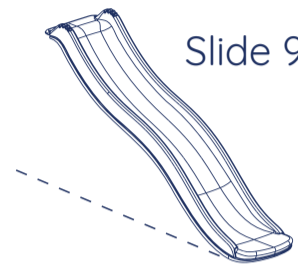


Available add-on items include:

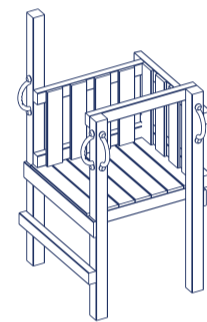
Slide 600mm



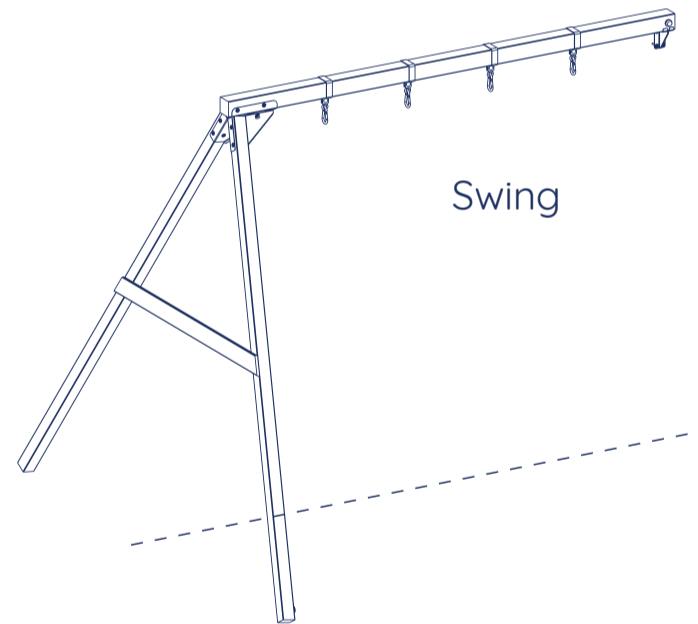
Slide 900mm



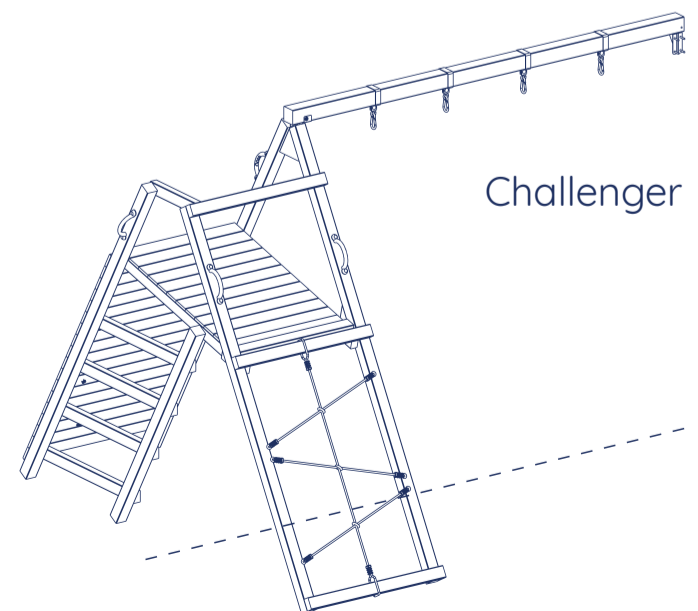
Platform



Swing



Challenger



TECHNICAL SPECIFICATION:

Base unit measures:
1650mm L x 1500mm W x 2690mm H

Fall height: 900m