

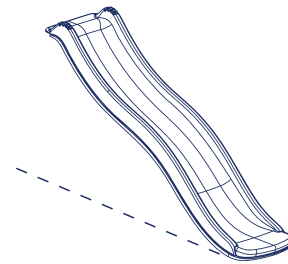
# Cascade 1200

BRCAS1200

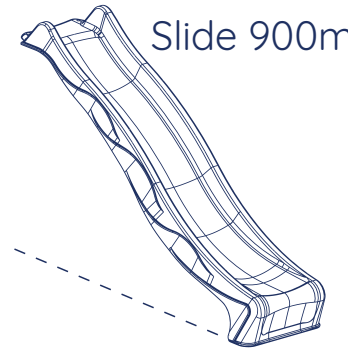


Available add-on items include:

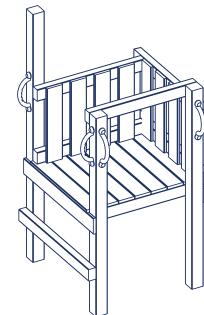
Slide 600mm



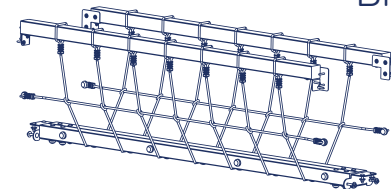
Slide 900mm



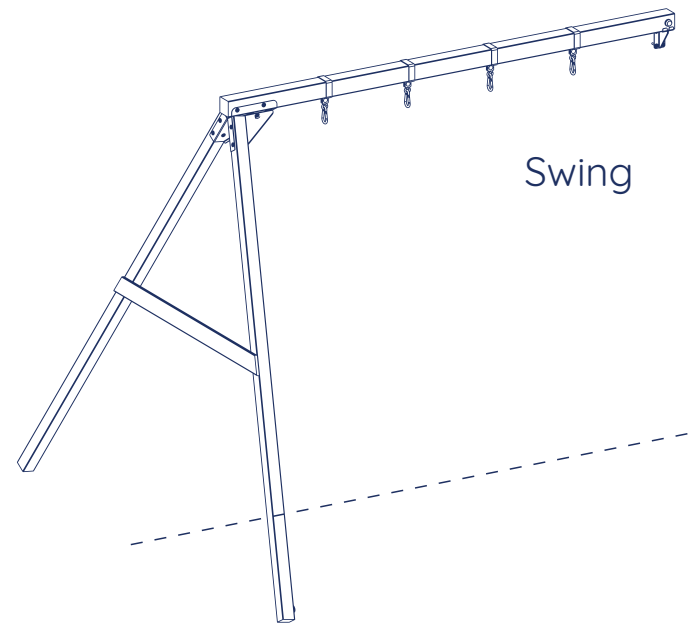
Platform



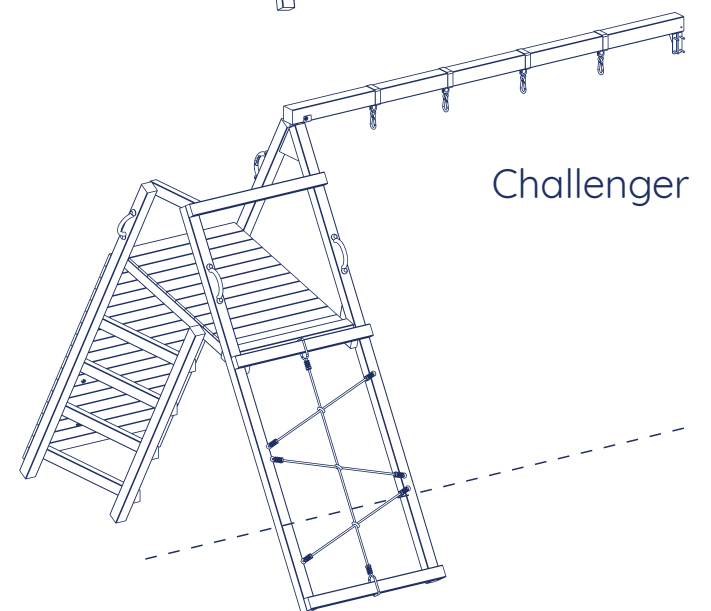
Bridge



Swing



Challenger



## TECHNICAL SPECIFICATION:

Base unit measures:  
1650mm L x 1500mm W x 2990mm H

Fall height: 1200m