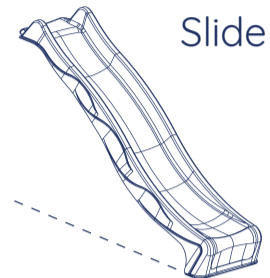


Belvedere 1200

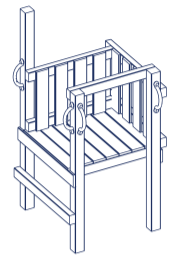
BRBEL1200



Available add-on items include:



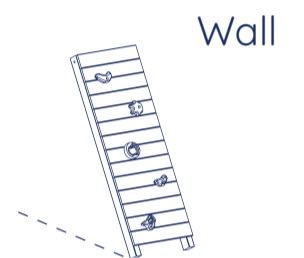
Slide



Platform



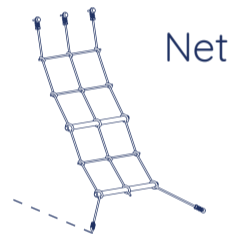
Steps



Wall

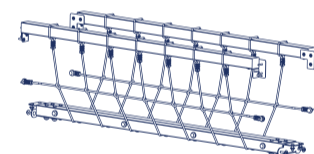


Ramp

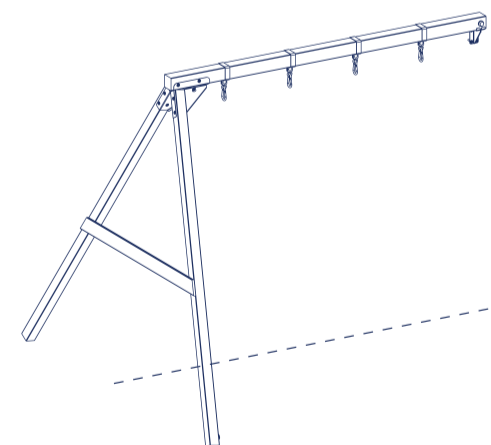


Net

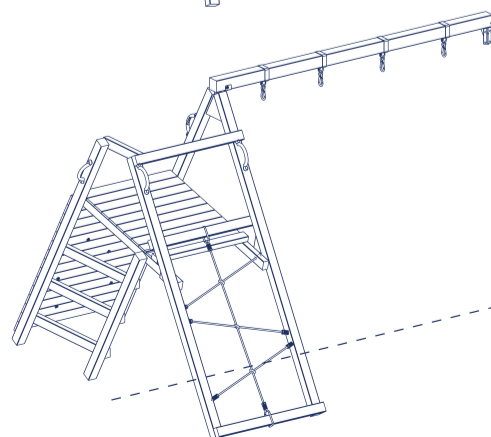
Bridge



Swing



Challenger



TECHNICAL SPECIFICATION:

Base unit measures:
1600mm L x 1500mm W x 2990mm H

Fall height: 1.2m