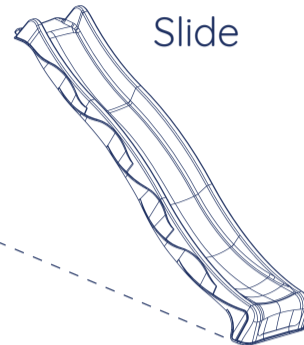


Beach Hut 1500

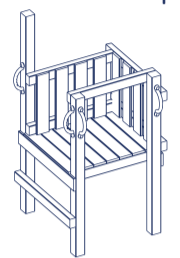
BRBEA1500



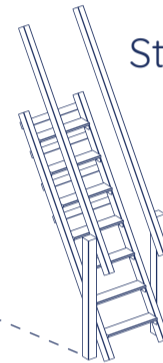
Available add-on items include:



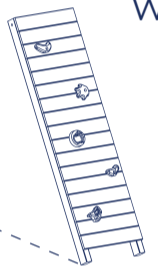
Slide



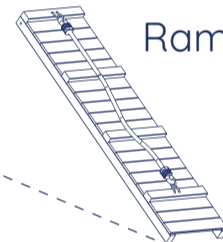
Platform



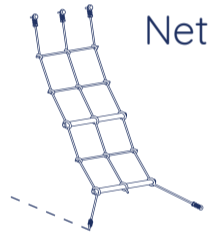
Steps



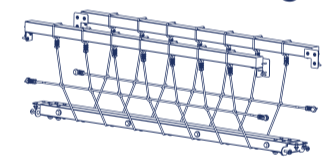
Wall



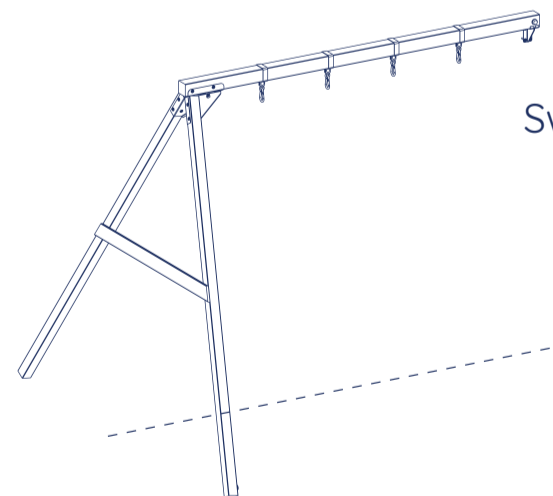
Ramp



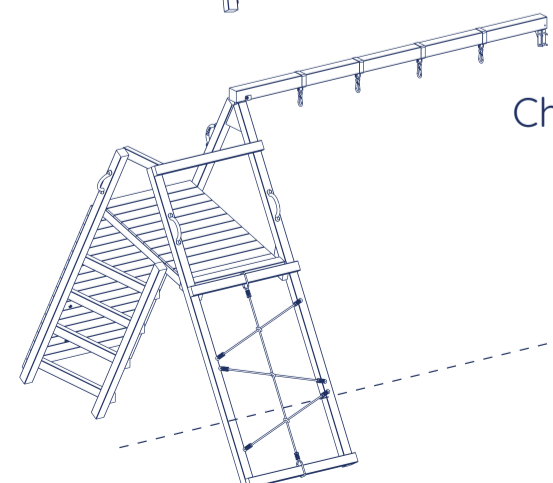
Net



Bridge



Swing



Challenger

TECHNICAL SPECIFICATION:

Base unit measures:
2150mm L x 1750mm W x 3290mm H

Fall height: 1.5m